



Harxon GNSS ANTENNA SERIES

OEM Handheld Antenna HX-CH2007A

Product Introduction

HX-CH2007A is a GPS L1、GLONASS L1 bands handheld antenna, which has passed through IGS phase center certification. This handheld antenna has exceptional pattern control, polarization purity and high efficiency in a very compact form factor. Antenna element has high gain and wide beam width to ensure the signal receiving performance of satellite at low elevation angle. It also has small size and patent-protected design. It's widely used in geodetic surveying and mapping, marine surveying, channel survey, dredging measure, earthquake monitoring, bridge deformation monitoring, landslide monitoring, port container operations.

Technical Features

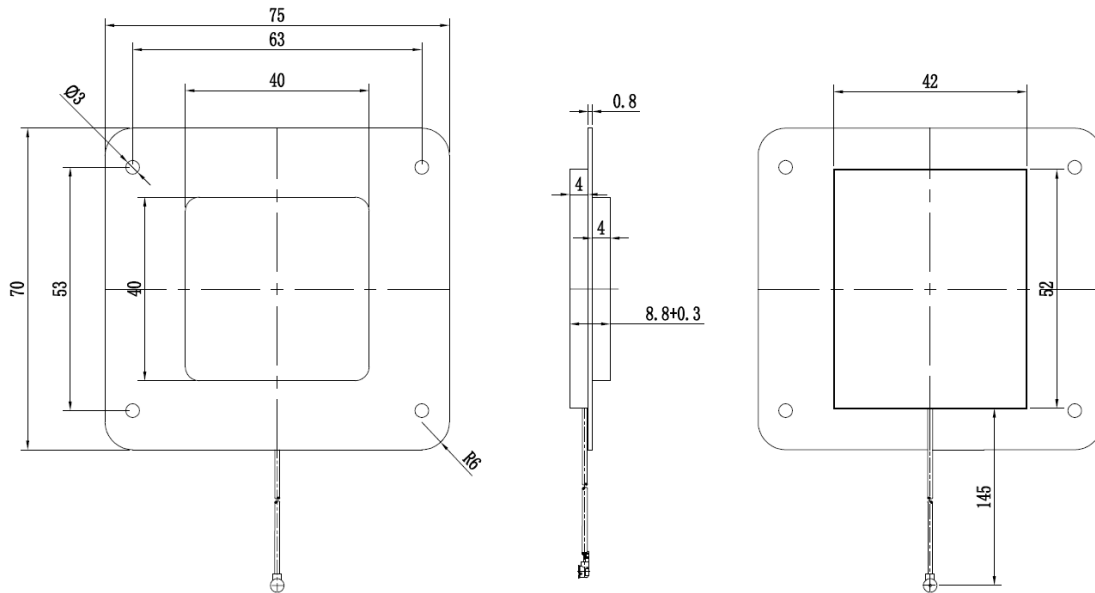
- GPS L1、GLONASS L1 bands
- High stability and high repeatability at phase center
- Antenna element has high gain and wide bandwidth to ensure the signal receiving performance of satellite at low elevation angle
- Small size, easy for installation
- GIS&RTK applications



Technical Parameter

Antenna Spec		Operation Voltage	3~3.3VDC
Frequency Range	GPS L1	Operation Current	≤25mA
	GLONASS L1	Group Delay	≤5ns
Impedance	50ohm	Mechanical Spec	
Polarization	RHCP	Dimension	75*70*8.8mm
Axial Ratio	≤3dB	Connector	U.FL
Azimuth Coverage	360°	Environment Spec	
Output VSWR	≤2.0	Operating Temp	-40°C ~ +85°C
Peak Gain	4.0dBi	Storage Temp	-40°C ~ +85°C
LNA Spec		Humidity	95% No-condensing
LNA Gain	18±2dB		
Noise Figure	≤2.0dB		
Output VSWR	≤2.0		

Structural Drawing



Top View

Side View

Bottom View