



GNSS OEM Antenna

HX-CH7005A

Product Introduction

HX-CH7005A is a GPS/GLONASS/BDS band antenna, which supports GPS L1\L2, GLONASS L1\L2, BDS B1/B2/B3. This OEM antenna is super compact, light with high precision capability, adopting multi feed design to ensure the superposition of phase center and geometrical center, and minimize the influence measurement error. In addition, high gain and wide beam width ensure the signal receiving performance of satellite at low elevation angle. HX-CH7005A can be widely used in surveying and mapping, unmanned aerial vehicles, aerial photographs, precision agriculture, telemetry technology, disaster monitoring, traffic patrol, security monitoring applications, etc.

Technical Features

- Multi-path rejection board inside can eliminate the multi-path influence to measurement error.
- High stability and high repeatability at phase center
- Flexible to customize size, LNA gain and connector
- Very low noise figure
- Compact & Light

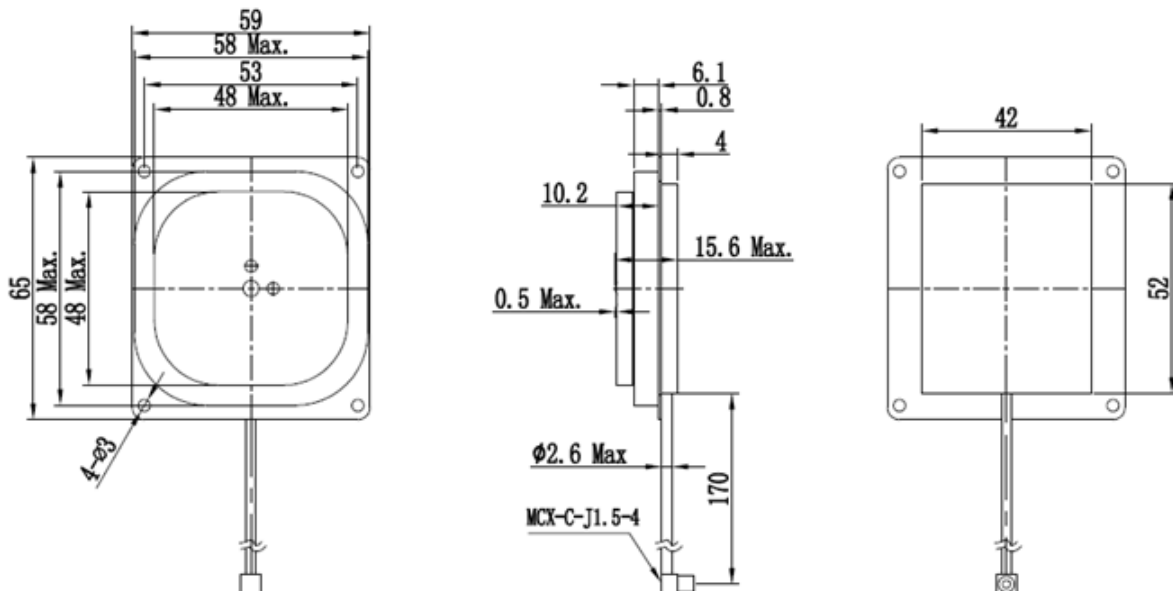


Technical Parameter

Antenna Spec	
Frequency Range	GPS L1/L2 GLONASS L1/L2 BDS B1/B2/B3
Impedance	50Ohm
Polarization	RHCP
Axial Ratio	<3dB
Azimuth Coverage	360°
VSWR	≤2.0
Gain at Zenith	4dBi
LNA Spec	
LNA Gain	36±2dB
Noise Figure	≤2.0dB

VSWR	≤2.0
Operation Voltage	3.3-12VDC
Operation Current	≤55mA
Group Delay	≤5ns
Mechanical Spec	
Dimension	65*59*15.6mm
Connector	MCX
Environmental Spec	
Operating Temp.	-40°C~+85°C
Storage Temp.	-55°C~+85°C
Humidity	95% No-condensing

Structural Drawing



Undeclared tolerance: ±0.2mm