

# HX-CU7005A Embedded Helix Antenna

Harxon Patented D-QHA Technology Inside

**Harxon**  
a *BDStar* company

## High Performance Embedded Helix Antenna with L-Band

The Harxon HX-CU7005A embedded helix antenna is designed for high precision positioning service and offers superior satellite signal tracking, including GPS, GLONASS, GALILEO, BeiDou, as well as L-Band correction service. Its centimeter level positioning accuracy makes it ideal to be integrated into applications as surveying and mapping, and various UAVs operations as aerial photography, remote sensing, infrastructure inspection, traffic control, and public security.



### ADVANCED PATENTED D-QHA TECHNOLOGY

The HX-CU7005A antenna adopts patented D-QHA technology for stable performance of wide-angle circular polarization (WACP), which ensures exceptional low elevation satellite tracking while maintaining high gain and providing reliable signal tracking. This consistent performance makes it an ideal option for UAVs even under challenging environments.

### HIGH PHASE CENTER STABILITY AND CONSISTENT PERFORMANCE

The HX-CU7005A antenna features a multi-point feeding technology that ensures a high phase center stability with centimeter level accuracy. Its high gain with ultralow signal loss, wide beam width for exceptional low elevation satellite tracking with symmetric radiation patterns effectively improve positioning accuracy.

### COMPACT DESIGN WITH LOW POWER CONSUMPTION

Weighting only 10g, the lightweight HX-CU7005A embedded helix antenna has a compact dimension, with  $\Phi 30 \times H 34$ mm only. It's also a low power consumption antenna that could prolongs fly endurance of the UAVs. All these advantages significantly improve the overall reliability of the UAVs and could be easily integrated into flying solutions.

### KEY FEATURES

- Comprehensive GNSS support: GPS, GLONASS, Galileo, BeiDou, as well as L-Band correction service
- Patented D-QHA technology ensures reliable signal tracking
- Centimeter phase center repeatability
- Improved signal filtering and excellent multipath rejection
- Low power consumption, lightweight, small form factor facilitates easier integration

# HX-CU7005A Embedded Helix Antenna

Harxon Patented D-QHA Technology Inside

**Harxon**

a **BDStar** company

## PERFORMANCE

<b>Signal Received</b>	
GPS	L1/L2/L5
GLONASS	L1/L2
GALILEO	E1/E5a/E5b
BDS	B1/B2/B3
QZSS	L1/L2/L5/L6
IRNSS	L5
SBAS	L1/L5
L-Band	
<b>Nominal Impedance</b>	50Ω
<b>Polarization</b>	RHCP
<b>Axial Ratio</b>	≤3dB
<b>Gain RHCP(maximum)</b>	
1166-1278MHz 2.4dBi (@ Zenith)	
1559-1612MHz 2.5dBi (@ Zenith)	
L-Band 1.0dBi (@ Zenith)	
<b>Azimuth Coverage</b>	360°(Omni-directional)
<b>Output VSWR</b>	≤2.0

## LOW NOISE AMPLIFIER

<b>LNA Gain</b>	33±2dB
<b>Noise Figure</b>	≤2dB
<b>Output VSWR</b>	≤2.0
<b>Out of Band Rejection</b>	
Upper Band:	<1400MHz>30dB
	<1450MHz>33dB
	>1700MHz>30dB
Lower Band:	<1000MHz>41dB
	<1100MHz>40dB
	<1130MHz>28dB
<b>Passband Ripple</b>	±2dB
<b>Operation Voltage</b>	+3.3V to +12V DC
<b>Operation Current</b>	≤55mA
<b>Differential Propagation Delay</b>	≤5ns

## MECHANICAL

<b>Dimensions</b>	φ30*34mm
<b>Connector</b>	U.FL-LP-066J1-A
<b>Weight</b>	≤10g
<b>Mounting</b>	PCB compression

## ENVIRONMENTAL

<b>Temperature</b>	
Operating	-40°C to +70°C
Storage	-55°C to +70°C
<b>Humidity</b>	95% non-condensing

[en.harxon.com](http://en.harxon.com)

sales@harxon.com

9/F, Block B, Building D3, TCL International

E City, NO.1001 Zhongshanyuan Road,

Nanshan District, Shenzhen, China

Tel: +86-755-26989948

Fax: +86-755-26989994

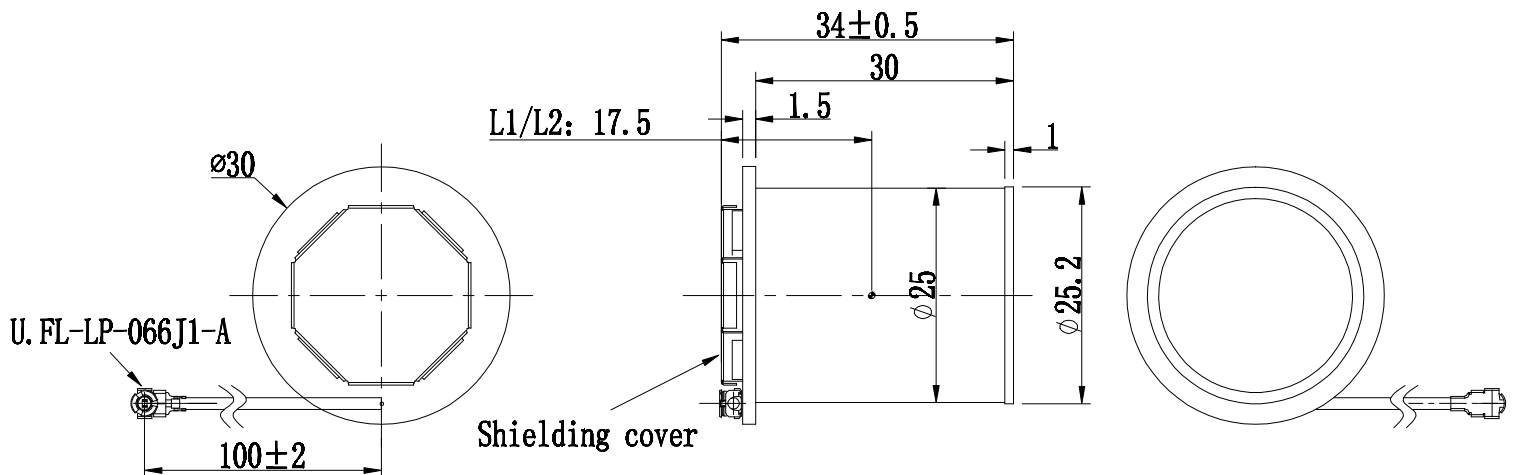
Version 2 Specifications subject to change without notice.

©2021 Harxon Corporation. All rights reserved.

Printed in China

January 2021

## Structure & Phase Center Drawing (mm)



BOTTOM VIEW

SIDE VIEW

TOP VIEW

Undeclared Tolerance: ±0.3mm