

Multiband Automotive Antenna HX-AULT002

Harxon HX-AULT002 is a highly integrated high performance multiband automotive antenna solution that provide swift, reliable connectivity to meet the increasing demands of seamless communication experience for Intelligent Transportation System (ITS) applications. This integrated antenna solution supports dedicated short range (DSRC) and Cellular vehicle-to-everything (C-V2X) communication. It equips multiple 5G antennas for multiple input and output of data to achieve swift internet download speed in 5G networks. HX-AULT002 also embeds a premium GNSS antenna with high gain for consistent and reliable precise positioning service. This versatile antenna provides the ability to connect vehicles as unmanned commercial vehicles including unmanned short distance delivery vehicles, main line logistic unmanned heavy-duty trucks, and intercity shuttle bus to networks, clouds, other vehicles, roadside infrastructure, and road users of ITS and makes itself an ideal option for OBU, RSU, chipset integrator and Tier-1 manufacturers of the modern automotive industry.

RELIABLE AND CONSISTENT PERFORMANCE

HX-AULT002 antenna seamlessly integrates multi-constellation multi-band GNSS antenna for reliable precise positioning as well as consistent V2X communication with uniform radiation element. Plus embedding 4 units of 5G antennas ensures smooth internet access makes the antenna a catch in the application of ITS market.

SEAMLESS INTEGRATION

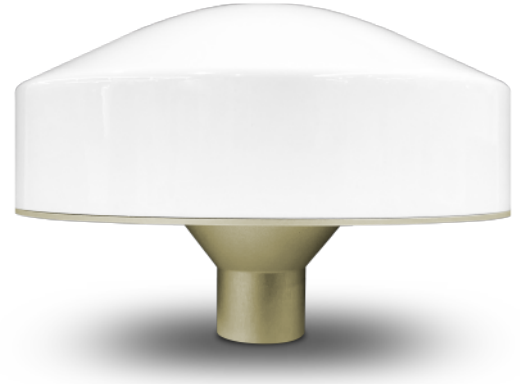
HX-AULT002 employs a Harxon patented modular structure layout to seamlessly integrate 7 units of broadband antennas into one compact enclosure with effective constrain of fusion noise that arises from antennas integration by effectively managing the balance of space and distance among antennas and ensures great isolation performance among different frequencies. The antenna also takes expandable possibility into consideration by saving space for firmware upgrade.

RUGGED HOUSING FOR HASH ENVIRONMENTS

The antenna adopts a pleasing low profile radome design to minimize the damage from the overhead objects on the road as well as reduce wind resistance for moving vehicles. The rugged and robust housing ensures the durability and long life while used in tough environment as vibration, harsh weather and high speed travel.

CUSTOMIZABLE OPTIONS AVAILABLE

To seamlessly deliver versatile antenna solution for integrators of automotive industry, Harxon HX-AULT002 is open for flexible customizable requests as hardware connector, LNA and function expandable options as DSRC, C-V2X, UWB, AM/FM, WIFI dual-frequency.



KEY FEATURES

- Highly integrated automotive antenna for reliable connectivity
- Pleasing low profile radome design minimizes damage from overhead objects
- Modular design for easy integration for various requirements
- Multiple input multiple output(MIMO) design for fast data transmit
- Rugged housing ensures durability in tough environment as vibration, harsh weather, and high speed travel
- Customizable V2X LNA and connector available
- UWB, AM/FM, WIFI dual-frequency antennas available upon customizable request

Multiband Automotive Antenna HX-AULT002

Performance

Frequency Range

1x GNSS Antenna L1/L2/ L5/B1/B2
/G1/G2/E1/E5/E6

5G 1/2 Antenna 824-960M & 1710-2690M
3.3-3.6G & 4.8-5G

5G 3/4 Antenna 1710-2690M
3.3-3.6G & 4.8-5G

2x V2X 5.85-5.925G

Impedance 50 Ohms

Polarization

GNSS RHCP

5G/ V2X linear polarization

Azimuth Coverage 360°

VSWR

GNSS ≤2.0

5G ≤4

V2X ≤2.0

Gain/Efficiency (typical/average)

GNSS 4.0dBic

5G 1/2 824M-960M ≥35%

1710M-2170M ≥40%

2300M-2690M ≥40%

3.3-3.6&4.8-5G ≥35%

5G 3/4 1710M-2170M ≥35%

2300M-2690M ≥35%

3.3-3.6&4.8-5G ≥35%

V2X Average Gain -2.0dBi

GNSS Phase Center Variation ≤2.5mm

Isolation interelement ≤-10dB

intersystem ≤-15dB

LNA

LNA Gain 38±2dB

Noise Figure ≤2dB

Output/Input VSWR ≤2.0

Passband Ripple ±2dB

Operation Voltage +3.3~+12VDC

Operation Current ≤100mA

Differential Propagation Delay ≤5ns

V2X Vice LNA customizable

V2X Vice LNA Operation Voltage 3.3~12V

V2X Main LNA customizable

V2X Main LNA Operation Voltage 3.3~12V

Mechanical

Dimensions

φ135*H57mm

(rubber mat/fixed frame not included)

Connector

FAKRA

universal connector,

customizable

Installation

screws fixed

Environmental

Operation Temperature

-40°C~+85°C

Storage Temperature

-55°C~+105°C

Humidity

95% no condensation

en.harxon.com

sales@harxon.com

9/F, Block B, Building D3, TCL International

E City, NO.1001 Zhongshanyuan Road,

Nanshan District, Shenzhen, China

Tel: +86-755-26989948

Fax: +86-755-26989994

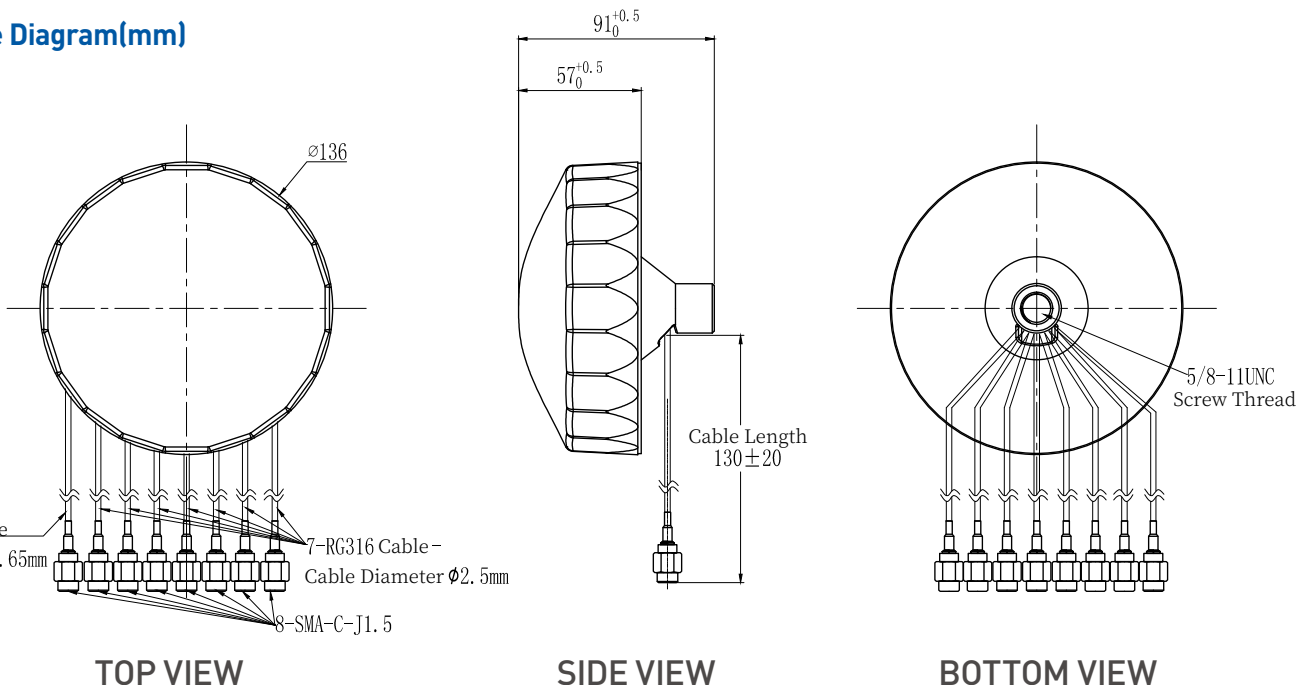
Version 1 Specifications subject to change without notice.

©2021 Harxon Corporation. All rights reserved.

Printed in China

July 2021

Structure Diagram(mm)



Undeclared Tolerance: ± 0.3 mm