

DATASHEET

RRMS116 RUGGEDIZED RACK MOUNTABLE GPS SPLITTER 2U with 16 ports

KEY FEATURES

Low noise figure

Standard gain of 8 dB

Excellent gain flatness
Gain | L1 - L2 | < 3 dB

Size: 2U

Designed to pass DC power up
to the GPS antenna

Passes GPS L1/L2

Supports MIL-STD-704 or MIL-
STD-1275 compliant 28VDC
power supply



RRMS116

Split GPS Signal Between Multiple Receivers

GPS Source, Inc. provides world-class military GPS solutions for applications where the signal is denied.

The Ruggedized Rack Mountable GPS Splitter (RRMS116) is a professional product built for years of trouble-free performance in demanding applications. It has been specifically engineered for the military and environments susceptible to increased levels of shock and vibration, as well as elevated ambient temperatures.

Uncompromising Performance

This splitter is built for military applications and environments where high reliability is required.

Benefits

Supports up to 16 devices requiring GPS and timing

Works well in EMI rich environment

Built for extreme mission environments

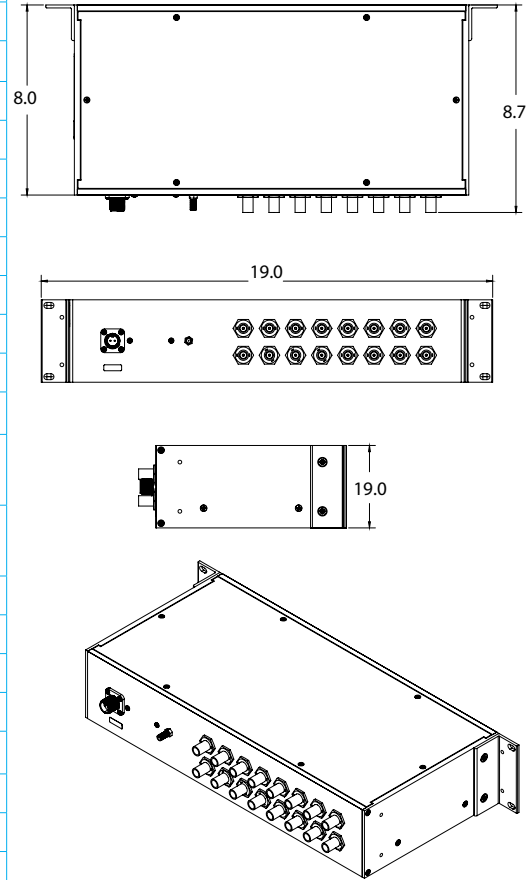
Designed for easy installation and configuration

Fits in standard 19" rack mount



Specifications

Number of Ports			16
Frequency Range		Ant: Any Port; Unused Ports: 50Ω	1 - 1.7 GHz
In/Out Impedence		Ant: J3-J18	50 (typ)
Gain	Standard	Amplified	Ant: Any Port; Unused Ports: 50Ω 8 dB (typ)
	Custom	Amplified	As Specified (xdB, from 0 to 14dB) X ± 1.5 dB
Input SWR		All Ports 50Ω	2:1 (max)
Output SWR		All Ports 50Ω	2:1 (max)
Noise Figure		Ant: Any Port; Unused Ports: 50Ω	4.5 dB (max)
Gain Flatness		L1-L2 Ant: Any Port; Unused Ports: 50Ω	4 dB (max)
Amp. Balance		[J2 - J3] Ant: Any Port; Unused Ports: 50Ω	.5 dB (max)
Phase Balance		Phase [J2] Ant: Any Port; Unused Ports: 50Ω	2.0 Degree (max)
Group Delay Flatness		T _{d,max} - T _{d,min} ; Ant: Any Port	1.0 ns
Isolation (Hi Iso.)		Adjacent Ports: Ant - 50Ω Opposite Ports: Ant - 50Ω	27 dB (min) 31 dB (min)
Input IP3		Ant: Any Port; Unused Ports: 50Ω (1MHz Tone Spacing)	-21 dBm (typ)
Input P1dB		Ant: Any Port; Unused Ports: 50Ω	-31 dBm (typ)
Current (I _{internal})		Current Consumption of device (excl. draw)	220 mA (max)
Draw Current		Powered, Military or Quick Connect	100 mA (max)
Max RF Input		Max RF Input Without Damage	20 dBm (max)
Mechanical Data			
Weight			7.5 lb
Size		19 X 8 X 3.5 in Rack Mount	
Power Options (Multiple)		PMS-1275, PMS704, MS38999-1275, PMS38999-704	



ISOMETRIC VIEW FOR REFERENCE ONLY

RRMS116

Electromagnetic Interference and Compatibility Test

RRMS116 performs its intended function and operation without degrading the performance of other equipment or subsystems. The following table defines the test requirements and test procedures for conducting the required electromagnetic compatibility testing. The MS18 is designed and tested to meet the requirements of MIL-STD- 461E:

CE102	Conducted Emissions Power Leads	10kHz to 10MHz
CE106	Conducted Emissions Antenna Terminal	10kHz to 31.5GHz
CS101	Conducted Susceptibility Power Leads	30Hz to 150kHz
CS103	Conducted Susceptibility Antenna Port	Intermodulation
CS105	Conducted Susceptibility Antenna Port	Cross-Modulation
CS114	Conducted Susceptibility Bulk Cable Injection	10kHz to 200MHz
RE102	Radiated Emissions Electric Field	10kHz to 18GHz
RS103	Radiated Susceptibility Electric Field	2MHz to 18GHz
Indirect Lightning	Damped Sinusoidal transients	RF Leads,10kHz to 100MHz Power Leads,10kHz to 100MHz

AS9100 & ISO 9001:2008 Certified
 Veteran Owned Small Business
 CCR Registered
 CAGE: 1RTJ5
 DUNS: 883995677
 NAICS: 334220, 334290, 334511, 541330, 541690

GPS Source, Inc.
 64 Mission Drive
 Pueblo, CO 81007 USA
 T: +1 719 561 9520
 F: +1 719 565 0890
 E: defense@gpssource.com

