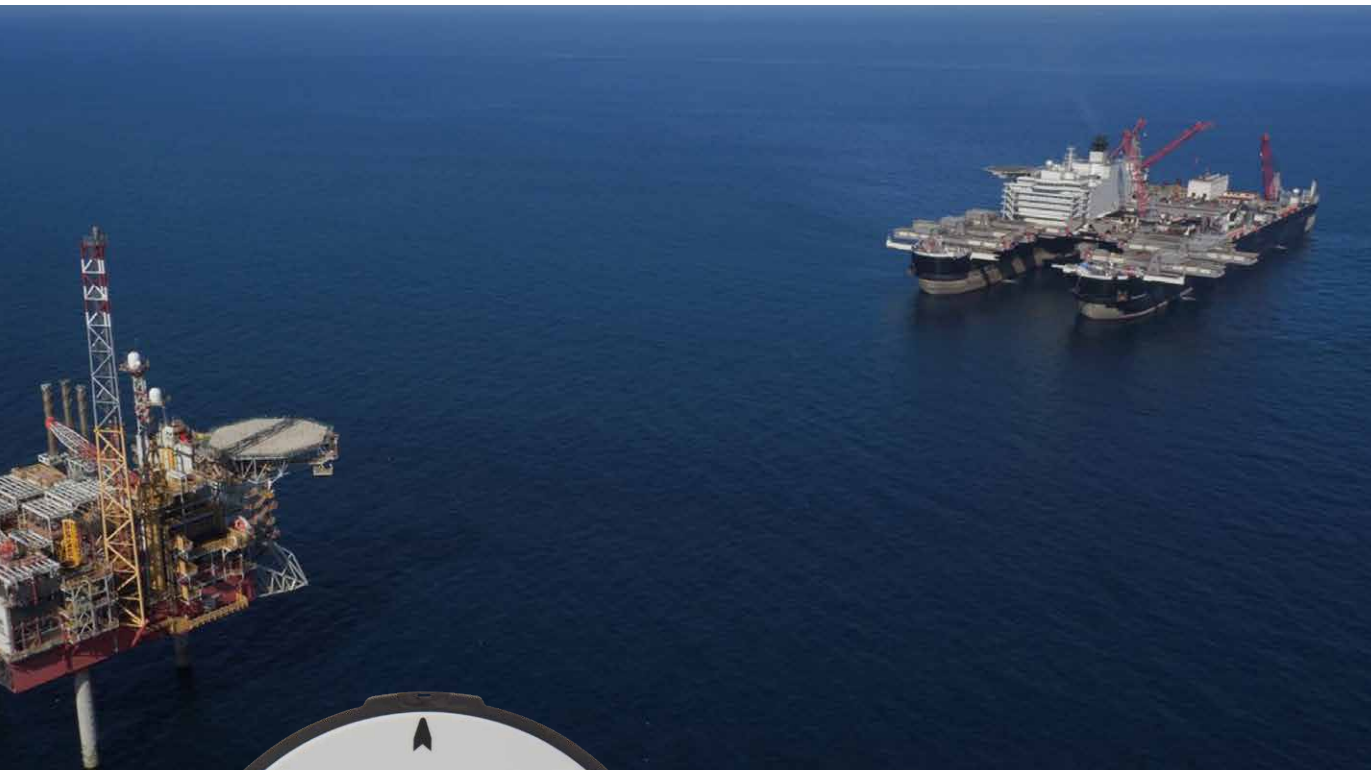


PolaNt-X MF.v2

High-precision multi-frequency GNSS antenna



Marine



Survey & GIS



Mapping



Automation



Precision Agriculture



KEY FEATURES

- ▶ **Multi-constellation tracking: GPS, Galileo, GLONASS, BeiDou, NavIC and QZSS**
- ▶ **Reception of Inmarsat L-Band signals compatible with correction services**
- ▶ **Superior multipath characteristics**
- ▶ **Ruggedized design**

PolaNt-x MF.v2 is a lightweight high-precision antenna for marine, geodetic, survey and machine control applications. This high-gain antenna incorporates low-noise amplifiers, enabling multi-frequency GNSS signal reception and are built into a rugged and environmentally sealed housing.

The PolaNt-x MF.v2 antennas have an optimised ground plane design, providing excellent multipath characteristics.

Enabling the tracking of the upper and lower (1539-1615 Mhz, 1164-1295 Mhz) GNSS signals, the PolaNt-x MF is ideal for high precision applications.

PolaNt-x MF.v2

FEATURES

Signals

L-Band (MSS)	
GPS	L1, L2, L5
GLONASS	L1, L2, L3
Beidou	B1, B2, B3
Galileo	E1, E5a, E5b, E6
SBAS	L1, L5
NavIC	L5
QZSS	L1, L2, L5, L6

Frequencies

1539 - 1615 Mhz
1164 - 1295 Mhz

Polarisation

RHCP

Axial Ratio

3 db Max

Radiation Coverage

Zenith	6.0 dBic
15° elevation	-2.0 dBic
10° elevation	-3.0 dBic
5° elevation	-4.0 dBic
Horizon	-5.0 dBic

Amplifier

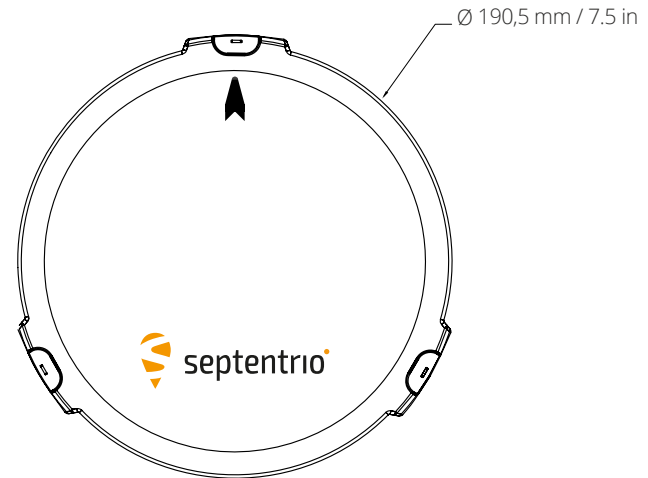
Gain	39 ± 2 dB
Noise Figure	2.6 dB max
Input Voltage	+3 to +15 VDC
Current	65mA (typ)
Impedance	50 Ω
VSWR	≤ 2.0:1

Physical and Environmental

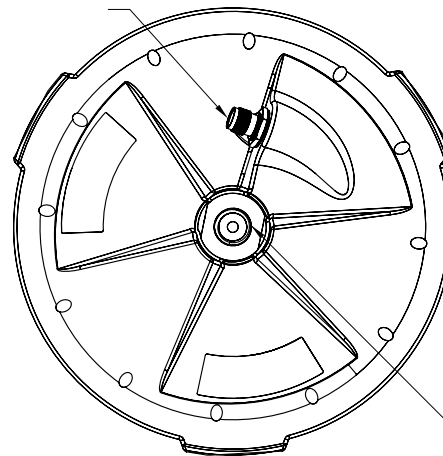
Finish	Weatherproof polymer
Weight	450 g / 0.99 lbs
Diameter	190 mm / 7.50 in
Connector	TNC Female
Temperature	-50° C to +70° C -58° F to 158° F
Certification	CE, RoHS and WEEE



DIMENSIONS



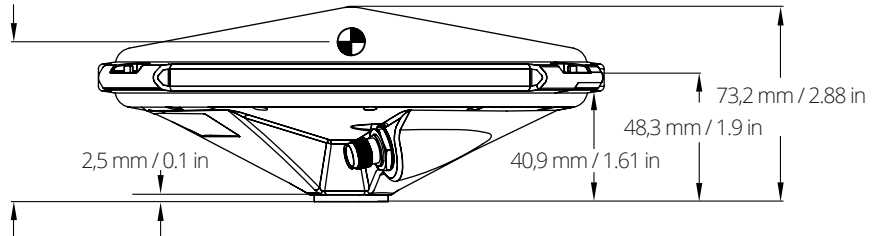
TNCF CONNECTOR



5/8-11 UNC-2B ADAPTER
PERMANENTLY INSTALLED

PHASE CENTER OFFSETS

L1 = 57,8 mm / 2.28 in
L2 = 65,9 mm / 2.59 in



EMEA

Greenhill Campus (HQ)
Interleuvenlaan 15i
3001 Leuven, **Belgium**

Espoo, **Finland**

Americas

Suite 200
23848 Hawthorne Blvd
Torrance, CA 90505, **USA**

septentrio.com/contact

Asia-Pacific

Shanghai, **China**
Yokohama, **Japan**
Seoul, **Korea**

septentrio.com



septentrio®